



## Electronic Accessories

### Interface (Product)

J3110A	Ethernet 10Base-T (RJ-45) EIO network internal print server PC board
J3111A	Ethernet 10Base-T/10Base2 and LocalTalk (RJ-45, BNC, LocalTalk) EIO network PCA
J3113A	JetDirect 600N internal print server (10Base-T and 100Base-TX) LAN interface board - Plugs into peripheral EIO slot
J3258B	External JetDirect 170X LAN interface module - Interfaces a parallel printer to an ethernet 10Base-T (RJ-45) LAN
J3263A	External JetDirect 300X LAN interface module - Interfaces a parallel printer to an ethernet 10Base-T (RJ-45) or 100Base-TX (RJ-45) LAN
J3264A	External JetDirect 500X token ring interface module - Interfaces up to 3 parallel printers to a token ring (DB-9 or RJ-45) LAN
J3265A	External JetDirect 500X LAN interface module - Interfaces up to 3 parallel printers to an ethernet 10Base-T (RJ-45), 10Base2 (BNC), or 100Base-TX (RJ-45) LAN
J4167A	JetDirect 610N token ring LAN interface board - DB-9 and RJ-45 connectors
J4169A	JetDirect 610N internal print server (10Base-T and 100Base-TX) LAN interface board - Plugs into peripheral EIO slot - Has a RJ-45 connector - Comes with software on CD-ROM and manual
J6057A	JetDirect 615N internal print server (10Base-T and 100Base-TX) LAN interface board - Plugs into peripheral EIO slot - Has a RJ-45 connector - Comes with software on CD-ROM and manual
J6057AR	JetDirect 615N internal print server (10Base-T and 100Base-TX) LAN interface board - Plugs into peripheral EIO slot - Has a RJ-45 connector - Comes with software on CD-ROM and manual
J6058A	JetDirect 680N internal wireless IEEE-802.11b (Wi-Fi) print server - Plugs into peripheral EIO slot

### Memory (Product)

F1457B	64MB, 100MHz, 3.3v, 144-pin SDRAM SO-DIMM memory module
F3495A	128MB, 133MHz, 3.3v, 144-pin SDRAM SO-DIMM memory module

### PC Board (Interface)

J6057-69001	JetDirect 615N internal print server (10Base-T and 100Base-TX) LAN interface board - Plugs into peripheral EIO slot - Has one RJ-45 connector REQUIRES RETURN OF DEFECTIVE PART
J6057-61001	<i>New Part for J6057-69001</i>

## Electronic Parts

### Cable

16	C2688-67029	Cable assembly - 7 pin (M) connector to 7 pin (F) connector - 5.4cm (2.1 inches) long
17	C2688-67030	Cable assembly - 2 pin (M) connector to 4 pin (F) connector - 18cm (7 inches) long
18	C2688-67036	Cable assembly with ferrites - Has many connectors: four 2 pin (F), five 3 pin (F), 3 pin (M), 5 pin (F), 6 pin (F), 7 pin (F), 9 pin (F), 10 pin (F), two 30 pin (F) - Overall length is 1.4m (4.5ft)

### Fan

19	C2688-67083	Fan assembly
----	-------------	--------------

### PC Board

20	C2688-67080	EIO extender board - Has two expansion connectors and plugs into the main logic board
21	C8119-67017	Keypanel PC Board - Mounts inside the front panel cover
	C2688-67027	<i>New Part for C8119-67017</i>
22	C8119-69013	Main Logic PC Board - Mounts on the ground bracket REQUIRES RETURN OF DEFECTIVE PART
	C8119-67013	<i>New Part for C8119-69013</i>
23	C8119-69019	PCL5/PostScript 3 module REQUIRES RETURN OF DEFECTIVE PART
	C8119-67019	<i>New Part for C8119-69019</i>

### PostScript

C8229A	PCL5C/Postscript 3 emulation upgrade kit
--------	--



### Electronic Parts

#### Power Cord

5185-7509	Power cord (For 120V in the USA, Canada, Mexico, and Latin America) - Note: This power cord has been recalled
8120-8419	Power cord (Flint Gray) - Two conductor, 1.8m (6.0ft) long - Has 90 degree (F) C7 receptacle (For 120V in the USA and Canada)
8120-8452	AC Power cord (Black) - Two conductor, 1.8m (6.0ft) long - Has straight (F) C7 receptacle (For 220V in Chile)
8120-8900	Power cord (Flint Gray) - 18 AWG, two conductor, 1.8m (6.0ft) long - Has straight (F) C7 receptacle (For 120V in the USA, Canada, Brazil, Latin America and Saudi Arabia)
8121-0017	Power cord (Flint Gray) - 18 AWG, two conductor, 1.8m (6.0ft) long - Has straight (F) C7 receptacle (For 220V in Korea)
8121-0018	Power cord (Flint Gray) - 18 AWG, two conductor, 1.8m (6.0ft) long - Has straight (F) C7 receptacle (For 220V in Australia and New Zealand)
8121-0019	Power cord (Flint Gray) - 18 AWG, two conductor, 1.8m (6.0ft) long - Has straight (F) C7 receptacle (For 220V in Argentina)
8121-0020	Power cord (Flint Gray) - 18 AWG, two conductor, 1.8m (6.0ft) long - Has straight (F) C7 receptacle (For 220V in South Africa)
8121-0021	Power cord (Flint Gray) - 18 AWG, two conductor, 1.8m (6.0ft) long - Has straight (F) C7 receptacle (For 100V in Japan)
8121-0022	Power cord (Flint Gray) - 18 AWG, two conductor, 1.8m (6.0ft) long - Has straight (F) C7 receptacle (For 240V in the UK)
8121-0023	Power cord (Flint Gray) - 18 AWG, two conductor, 1.8m (6.0ft) long - Has straight (F) C7 receptacle (For 220V in Europe, Asia Pacific, Germany, Spain, France, Netherlands, Switzerland, Italy, and Portugal)
8121-0024	Power cord (Flint Gray) - 18 AWG, two conductor, 1.8m (6.0ft) long - Has straight (F) C7 receptacle (For 220V in China)
8121-0025	Power cord (Flint Gray) - 18 AWG, two conductor, 1.8m (6.0ft) long - Has straight (F) C7 receptacle (For 240V in India)

#### Power Supply

38	C2688-67018	Power supply PCA - 100-240VAC, 50/60Hz, 68 watts - For worldwide use
----	-------------	--

#### Sensor

39	C2688-67028	Access door sensor
40	C2688-67040	Edge sensor
41	C2688-67046	Media sensor - Senses the presence of media
42	C2688-67055	Drive roller sensor PC board - Senses the position of the drive roller

### External Case Parts

#### Base

43	C8119-67006	Printer base - Covers bottom of the printer
----	-------------	---

#### Cover

44	C2688-67025	Front panel cover assembly - Covers the front center of the printer - Includes buttons, LCD panel cover, access door sensor, and keypad signal and power harnesses - Dark gray
45	C2688-67079	EIO expansion slot cover
46	C8119-67002	Right IDS Cover - Covers the right side of the printer and the ink delivery system
47	C8119-67003	Left Cover - Covers the left side of printer
48	C8119-67004	Rear PC board cover - Covers the back of the printer
49	C8119-67007	Carriage access cover - Covers the carriage when parked and the ink supply station

#### Door

50	C8119-67014	Top Cover Assembly - Main access door assembly
----	-------------	--

#### Foot

51	C2688-67035	Bumper foot
----	-------------	-------------

#### Nameplate/Logo

52	C8119-67021	HP Business Inkjet 2280CM nameplate
----	-------------	-------------------------------------



### Other Accessories

#### Cartridge

C4836AA	No. 11 standard capacity Cyan ink cartridge (holds 28cc's of ink) - Prints approximately 1750 pages at 5% density per color (Asia/Pacific)
C4836AE	No. 11 standard capacity Cyan ink cartridge (holds 28cc's of ink) - Prints approximately 1750 pages at 5% density per color (Europe)
C4836AL	No. 11 standard capacity Cyan ink cartridge (holds 28cc's of ink) - Prints approximately 1750 pages at 5% density per color (Latin America)
C4836AN	No. 11 standard capacity Cyan ink cartridge (holds 28cc's of ink) - Prints approximately 1750 pages at 5% density per color (USA)
C4837AA	No. 11 standard capacity Magenta ink cartridge (holds 28cc's of ink) - Prints approximately 1750 pages at 5% density per color (Asia/Pacific)
C4837AE	No. 11 standard capacity Magenta ink cartridge (holds 28cc's of ink) - Prints approximately 1750 pages at 5% density per color (Europe)
C4837AL	No. 11 standard capacity Magenta ink cartridge (holds 28cc's of ink) - Prints approximately 1750 pages at 5% density per color (Latin America)
C4837AN	No. 11 standard capacity Magenta ink cartridge (holds 28cc's of ink) - Prints approximately 1750 pages at 5% density per color (USA)
C4838AA	No. 11 standard capacity Yellow ink cartridge (holds 28cc's of ink) - Prints approximately 1750 pages at 5% density per color (Asia/Pacific)
C4838AE	No. 11 standard capacity Yellow ink cartridge (holds 28cc's of ink) - Prints approximately 1750 pages at 5% density per color (Europe)
C4838AL	No. 11 standard capacity Yellow ink cartridge (holds 28cc's of ink) - Prints approximately 1750 pages at 5% density per color (Latin America)
C4838AN	No. 11 standard capacity Yellow ink cartridge (holds 28cc's of ink) - Prints approximately 1750 pages at 5% density per color (USA)
C4844A	No. 10 high capacity Black ink cartridge (holds 69ml of ink) - Prints approximately 1400 pages at 5% printing density (USA)
C4844AA	No.10 high capacity Black ink cartridge (holds 69ml of ink) - Prints approximately 1400 pages at 5% printing density (for Asia/Pacific)
C4844AE	No.10 high capacity Black ink cartridge (holds 69ml of ink) - Prints approximately 1400 pages at 5% printing density (for Europe)
C4844AL	No.10 high capacity Black ink cartridge (holds 69ml of ink) - Prints approximately 1400 pages at 5% printing density (for Latin America)

#### Cleaning Supplies

C2688-67111	Pick Roller Cleaning Kit
C4530-67910	Paper pick-up roller cleaning kit

#### Interface (Product)

J6062A	JetDirect WP110 IEEE 802.11b (Wi-Fi) wireless print server - Connects to printer using parallel printer port
--------	--

#### Printhead

C4810A	No. 11 Black ink printhead
C4811A	No. 11 Cyan ink printhead
C4812A	No. 11 Magenta ink printhead
C4813A	No. 11 Yellow ink printhead

#### Return Kit

5183-5269	Return kit with box and instructions - For returning defective TIJ 3.0 printheads covered under the CREW program
-----------	--

#### Tray

C2688-67013	Input tray assembly - Pullout tray with paper length/width stop and fold down door
C8230A	250-Sheet paper tray



### Other Internal Parts

#### Absorber

79 C2688-67038 CYM absorber

#### Actuator

80 C2688-67033 Ink supply door actuator - Activates the access door sensor

81 C2688-67034 Top cover actuator - Activates the access door sensor

#### Bracket

82 C2688-67077 Ground bracket - Mount for the power supply board and the main logic board

83 C2688-67082 EIO bracket

#### Chassis

84 C2688-67060 Chassis assembly - Mounts to the base - Main mounting base for the rest of the print mechanism

#### Cover

85 C2688-67076 Power supply cover - Covers part of the power supply board

86 C8119-67016 Keypanel Cover - Covers the bottom of the Keypanel PC board

#### Extended I/O

87 C2688-67078 EIO box assembly - Has expansion card slots

C2688-67107 *New Part for C2688-67078*

#### Retainer

C4530-00091 Carriage shaft retainer - Metal spring which holds carriage shaft in place

#### Shield

89 C2688-67081 Connector board shield

### Paper Tray Parts

#### Tray

130 C8119-67009 Input Tray Assembly - Holds paper supply for printer - Pullout tray with paper length/width stop and fold down door

131 C8119-67010 Output Tray Assembly - Includes output tray, slid out tray extender, and Envelope width stop

#### Wing

132 C8119-67011 Left wing - Holds printed paper after being ejected

133 C8119-67012 Right wing - Holds printed paper after being ejected

### Paper and Other Media

#### Film (Transparency)

C3828A Premium InkJet transparency film - A size (8.5 x 11-inches) - 20 sheets per package

C3832A Premium InkJet transparency film - A4 size (21.0cm x 29.7cm) - 20 sheets per package

C3834A Premium InkJet transparency film - A size (8.5 x 11-inches) - 50 sheets per package

C3835A Premium InkJet transparency film - A4 size (21.0cm x 29.7cm) - 50 sheets per package

#### Iron-On Transfers

C6049A Iron-on T-shirt transfers - A size (8.5 x 11-inches) - 10 sheets per package

#### Paper

C1812A Greeting card paper pack (White) - A size (8.5 x 11-inches) - Includes 20 sheets and 20 envelopes

C6828A Greeting card paper pack (White) - A size (8.5 x 11-inches) - Felt textured - Includes 20 sheets and 20 envelopes

#### Paper (Banner)

C1820A Banner paper - A size (8.5 x 11-inches) - 24 lb - Perforated for easy separation - 100 sheets per pack

#### Paper (Glossy)

C3833A Premium glossy InkJet paper - A size (8.5 x 11-inches) - 10 sheets per package

C6044A Glossy greeting cards - A size (8.5 x 11-inches) - 10 scored glossy cards and envelopes

C6817A Professional glossy InkJet brochure and flyer paper - Glossy on both sides - A size (8.5 x 11-inches) - 50 sheets per box



## Paper and Other Media

### Paper (Glossy)

- C6818A Professional glossy InkJet brochure and flyer paper - A4 size (21.0cm x 29.7cm) - Glossy on both sides - 50 sheets per box
- C7020A Scored tri-fold glossy brochure paper - B size (11 x 17-inches)

### Paper (InkJet Photo)

- C6983A Photo quality InkJet paper - With two sided semi-gloss finish - A size (8.5 x 11-inches) - 25 sheets per package
- C7007A Photo quality InkJet paper - With two sided matte finish - A size (8.5 x 11-inches) - 100 sheets per package

### Paper (InkJet)

- 51634Y InkJet non-glossy LX paper - A size (8.5 x 11-inches) - 200 sheets per package
- 51634Z InkJet non-glossy LX paper - A4 size (21.0cm x 29.7cm) - 200 sheets per package
- C1824A Bright white InkJet paper - A size (8.5 x 11-inches) - 500 sheets per package
- C1825A Bright white InkJet paper - A4 size (21.0cm x 29.7cm) - 500 sheets per package
- C1852A Premium InkJet heavyweight paper - A size (8.5 x 11-inches) - 15 sheets per package
- C1853A Premium InkJet heavyweight paper - A4 size (21.0cm x 29.7cm) - Coated on both sides - 100 sheets per package
- C1855A Premium InkJet paper - B size (11 x 17-inches) - 100 sheets per package
- C1856A Premium InkJet paper - A3 size (29.7cm x 42.0cm) - 100 sheets
- C1857A Bright white InkJet paper - B size (11 x 17-inches) - 200 sheets per package
- C1858A Bright white InkJet paper - A3 size (29.7cm x 42.0cm) - 200 sheets per package
- C5976B Bright white InkJet paper - A size (8.5 x 11-inches) - 250 sheets per package

### Paper (Matte)

- C6955A Professional and flyer paper (Matte) - A size (8.5 x 11-inches) - 50 sheets
- C7018A Matte greeting cards (White) - Half fold - A size (8.5 x 11-inches)

### Paper (Photo)

- C1846A Photo paper - A size (8.5 x 11-inches) - 20 sheets per package
- C6039A Premium glossy photo paper (Fast dry time) - A size (8.5 x 11-inches) - 15 sheets per package
- C6040A Premium glossy photo paper - A4 size (21.0cm x 29.7cm) - 15 sheets per package (Europe, Brazil, and Argentina)
- C6831A Premium plus glossy InkJet photographic paper - A size (8.5 x 11-inches) - 20 sheets per package
- C6944A Premium plus glossy InkJet photographic paper - 10.2cm (4in) x 15.2cm (6in) - 20 sheets per package
- C6950A Premium Plus matte inkjet photographic paper - A size (8.5 x 11-inches) - 20 sheets per package
- C6979A Premium glossy photo paper (fast dry time) - A size (8.5 x 11-inches) - 50 sheets per package
- C7013A Colorfast photo paper - A size (8.5 x 11-inches) - 20 sheets per package
- C7040A Glossy premium photo paper - A4 size (21.0cm x 29.7cm)

### Paper (Textured)

- C7019A Textured greeting card - White half fold - A size (8.5 inches x 11 inches)

### Stickers

- C6822A Round re-stickable InkJet stickers - HP bright white 6.35cm (2.5in) round stickers with 3M 'Post-it' adhesive - A size (8.5 x 11-inches) - 10 sheets per package with nine stickers per sheet
- C6823A Square re-stickable InkJet stickers - HP bright white 6.35cm (2.5in) square stickers with 3M 'Post-it' adhesive - A size (8.5 x 11-inches) - 10 sheets per package with nine stickers per sheet

## Print Mechanism Parts

### Absorber

- 134 C2688-67037 Chimney absorber - Absorbs ink during the cleaning process
- 135 C2688-67039 Spit aerosol absorber - Absorbs ink mist during the cleaning process



### Print Mechanism Parts

#### Adjuster

- 136 C2688-67074 Z-Axis service station alignment - Aligns the carriage when positioned in the service station
- 137 C4530-40258 Carriage shaft adjuster - Adjusts shaft alignment (Left)
- 138 C4530-40259 Carriage shaft adjuster - Adjusts shaft alignment (Right)

#### Belt

- 139 C4530-40238 Carriage belt

#### Carriage

- 140 C2688-67061 Printhead carriage assembly - Includes carriage, carriage PC board, flex cables, line sensor, and carriage belt

#### Ejector

- 141 C2688-67012 Paper ejector - Ejects printed paper to the output tray

#### Gear Assembly

- 142 C2688-67056 Input gear assembly - Mounts on the left side of the printer - Transfers power to the drive roller

#### Guide

- 143 C2688-67043 Upper/rear paper guide assembly - Includes upper and rear paper guides and the envelope switch

#### Hardware

- 144 C2688-67063 Carriage shaft shim

#### Ink Delivery System

- 145 C2688-67009 Ink Delivery System assembly - Includes ink delivery tubes

#### Ink Supply Station

- 146 C2688-67010 Ink Supply Station assembly - Holds the ink cartridges and pumps ink out to the printheads - Includes the ink supply station motor

#### Latch

- 147 C2688-67008 A-arm latch - Retains purple latch over the printheads on the carriage

#### Lock

- 148 C2688-67075 Carriage lock - Locks the carriage position during servicing

#### Motor

- 149 C2688-67042 Service station motor
- 150 C2688-67045 Paper motor assembly
- 151 C2688-67070 Carriage drive motor - Includes pulley

#### Pivot

- 152 C2688-67044 Drive Roller and Pivot Assembly - Includes shaft with four rollers, drive gear, and pivot assembly

#### Plate

- 153 C2688-67058 Side Plate Assembly - Mounts on the left side of the chassis - Secures the Input Gear Assembly
- 154 C2688-67062 Carriage Plate Assembly - Support for the Carriage and Carriage Drive components

#### Retainer

- 155 C2688-67047 Retainer ring for drive shaft
- 156 C4530-40288 Carriage belt retainer
- 157 C4530-40290 Encoder retainer (snubber)
- 158 C8119-67008 Retainer (Catwalk) - Holds the paper ejector bar

#### Roller

- 159 C2688-67049 Exit pinch roller - Pinches the media against the drive rollers - Mounts in the upper paper guide
- 160 C4530-40222 Pinch roller - Pinches the media against the drive rollers - Mounts in the rear paper guide



### Print Mechanism Parts

#### Separator

161 C2688-67057 Separator assembly

#### Service Station

162 C2688-67041 Complete service station assembly - Includes the service station motor and wiper assembly

#### Shaft

163 C4530-20042 Carriage shaft - Guides printer carriage

#### Spring

164 C2688-67048 Pinch spring between the rear and upper paper guides

165 C2688-67051 Rear pinch roller spring - Puts tension on the pinch roller

166 C2688-67052 Z-stop spring - Pushes the Z-stop onto the drive shaft

167 C2688-67059 X bias spring

168 C2688-67073 Carriage lock spring

169 C4530-00033 Encoder strip spring

#### Stop

170 C2688-67053 Right Z stop assembly - Secures the right end of the drive shaft in the vertical direction

171 C2688-67054 Left Z stop assembly - Secures the left end of the drive shaft in the vertical direction

#### Strip

172 C4530-80004 Encoder strip - Used to determine carriage position

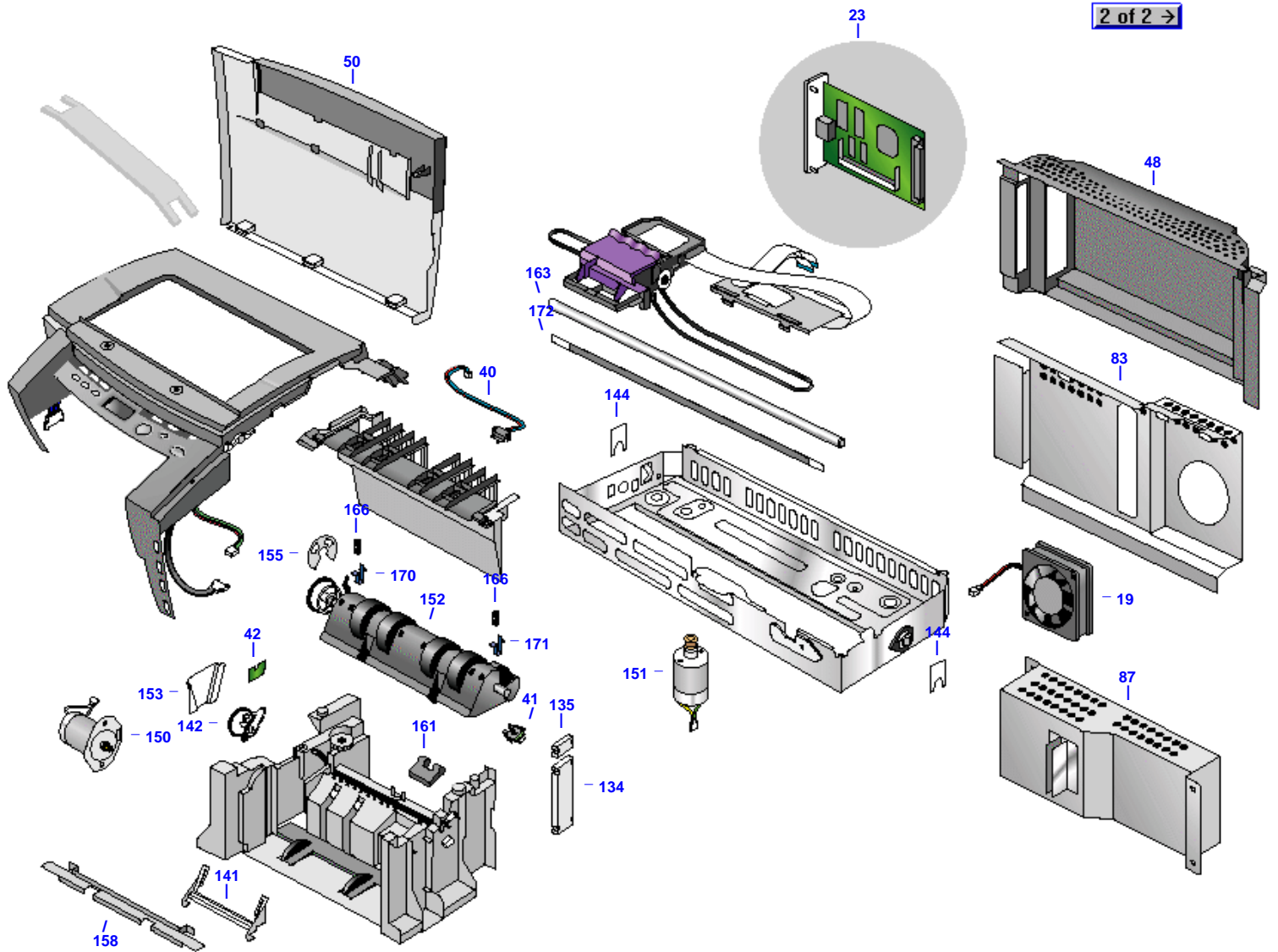
### Replacement Printer

#### Printer

C8119-69001 Replacement Business Inkjet 2230/2280/2280TN printer - Does not include print cartridges, power cord, or power module  
REQUIRES RETURN OF DEFECTIVE PART

C8119-67001 *New Part for C8119-69001*

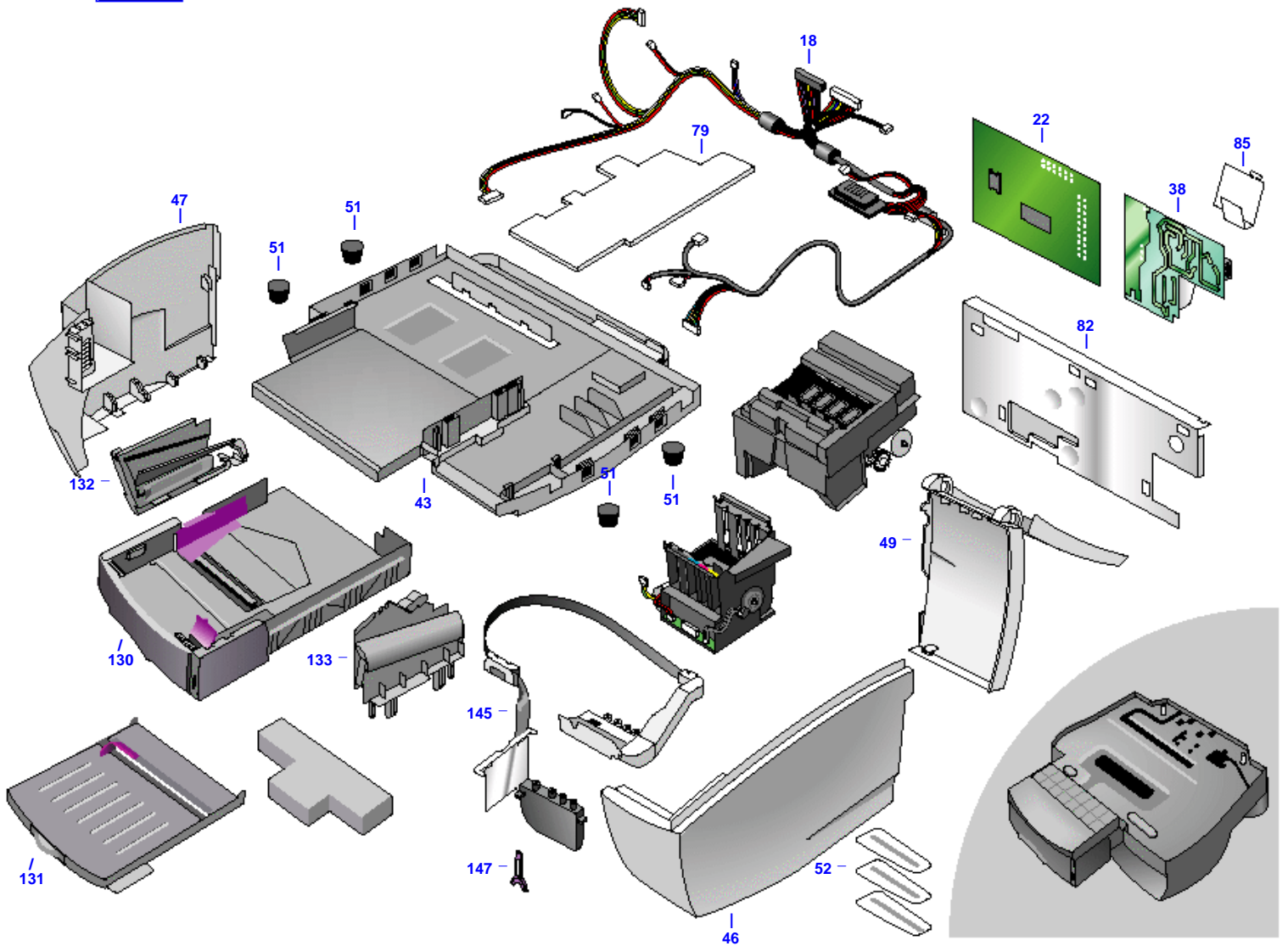
Printer Exploded View (1 of 2)





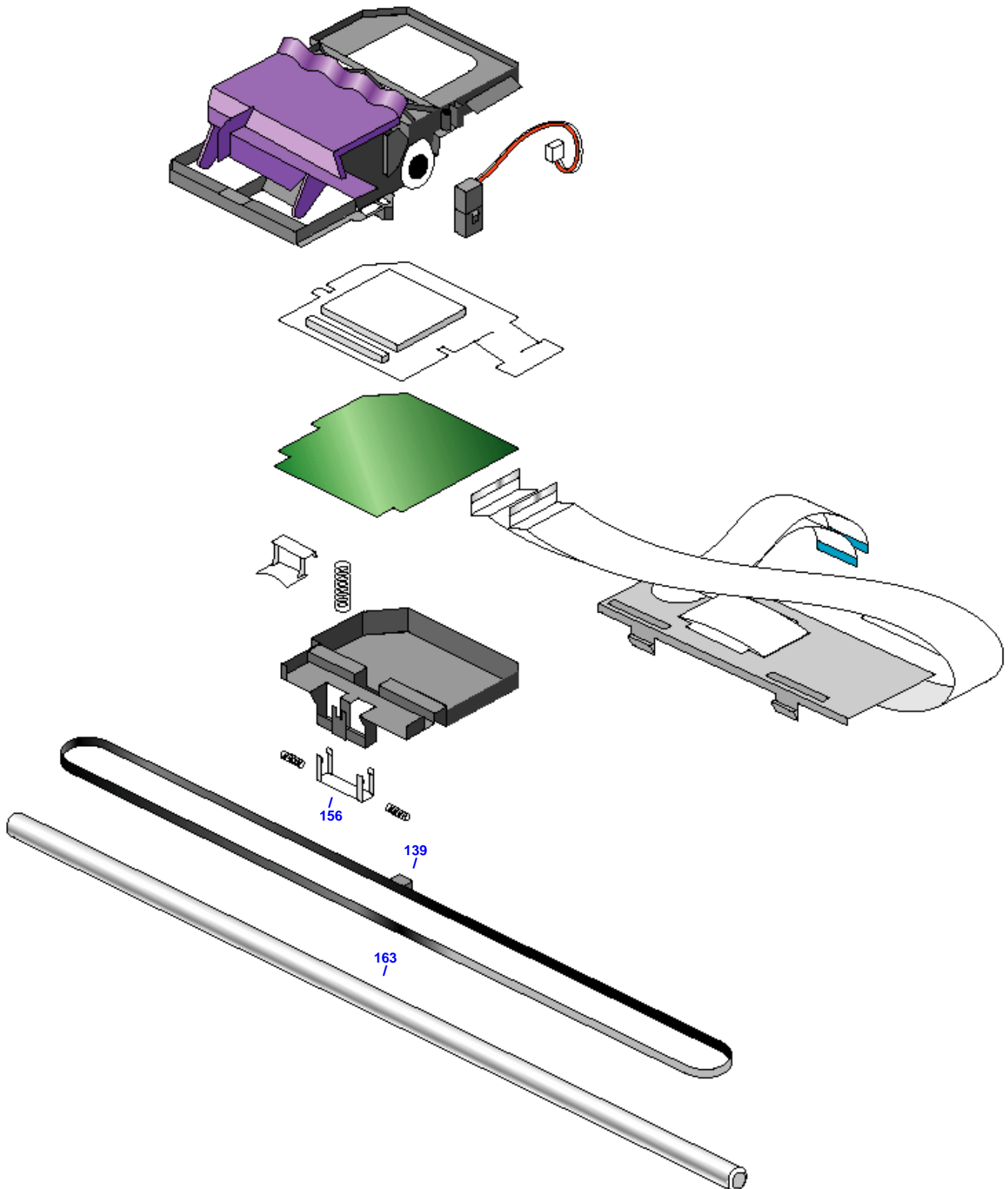
Printer Exploded View (2 of 2)

← 1 of 2



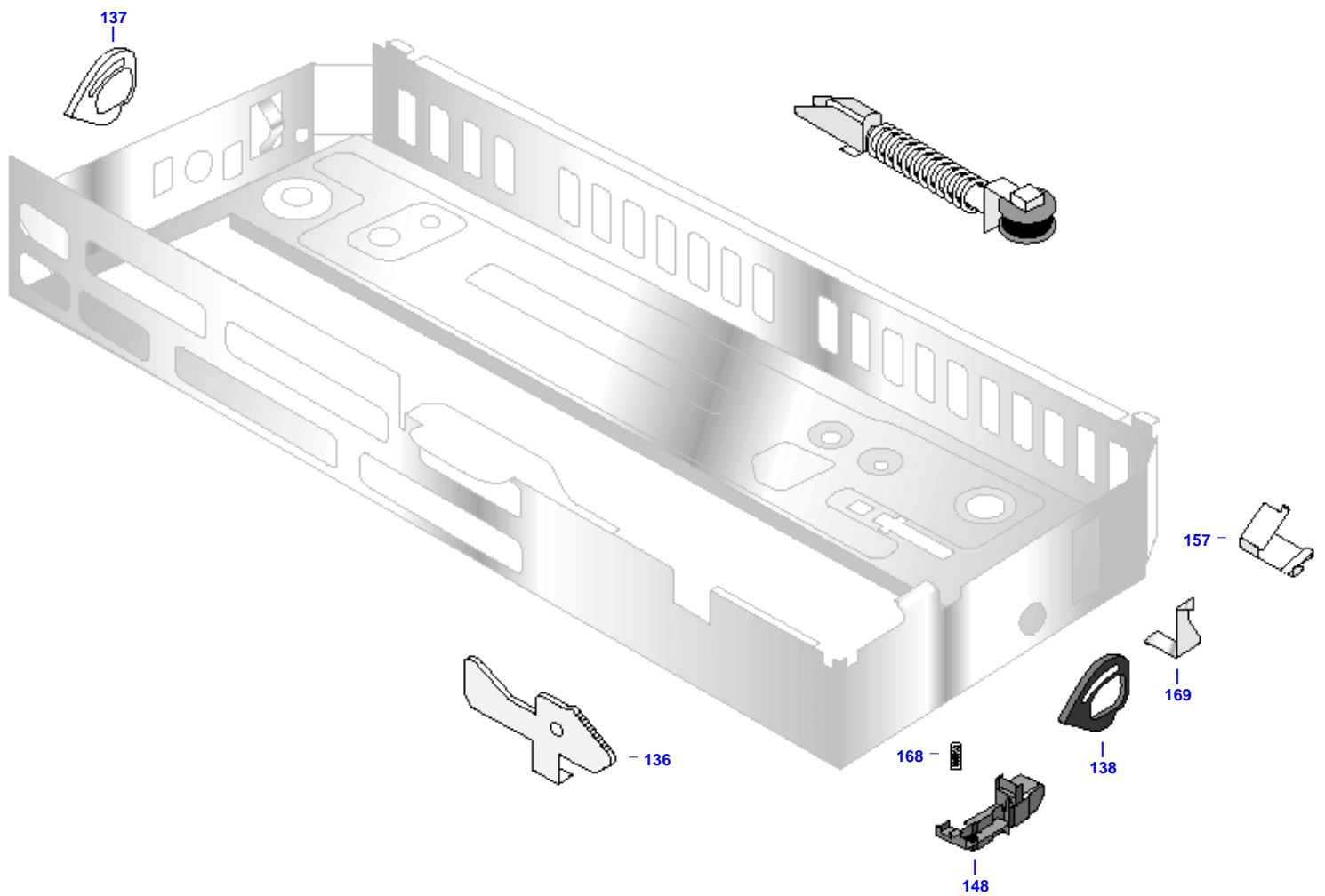
Carriage Assembly / Carriage Shaft

140 -  Carriage Base Assembly



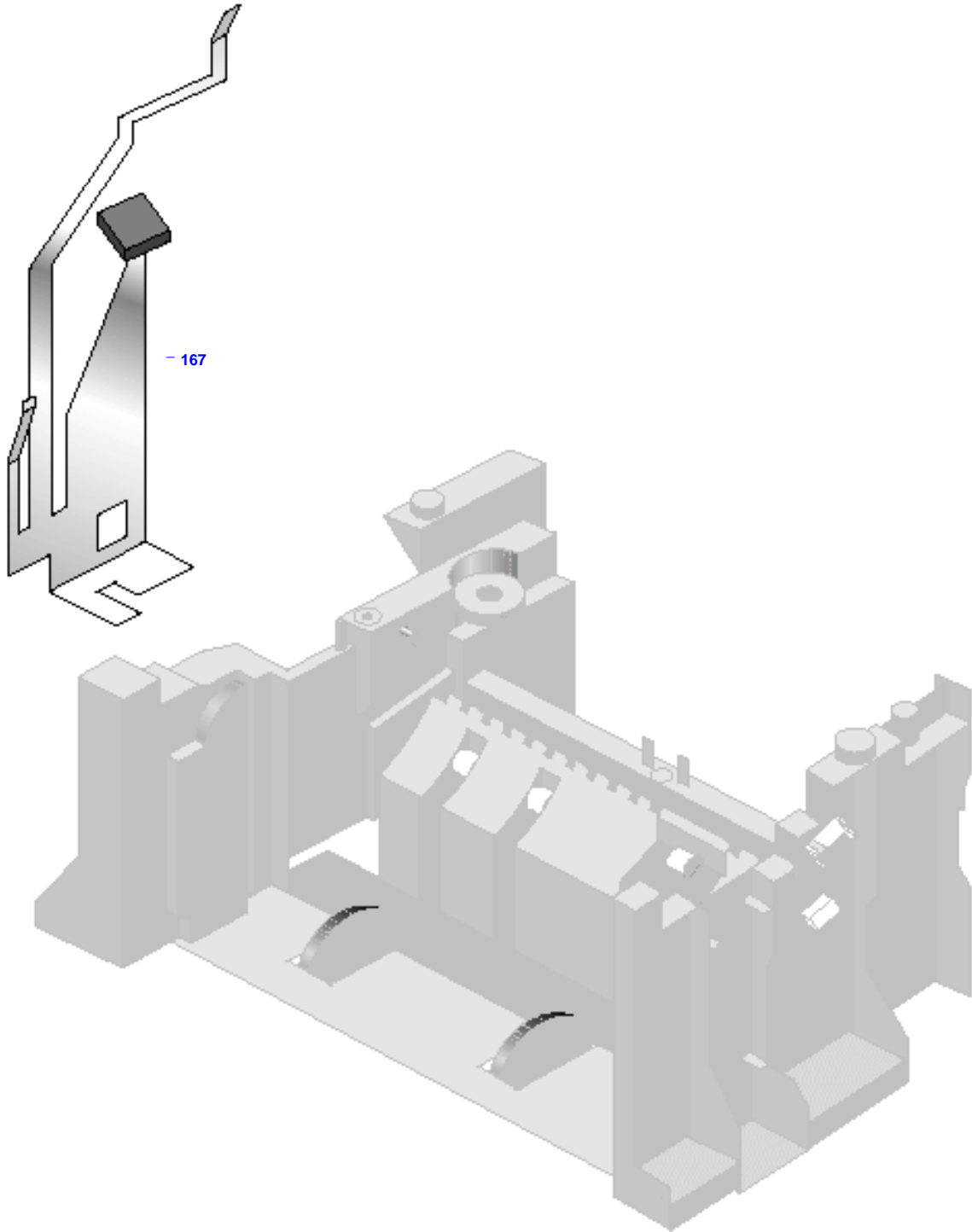
Carriage Plate Assembly

154 -  Carriage Plate Assembly

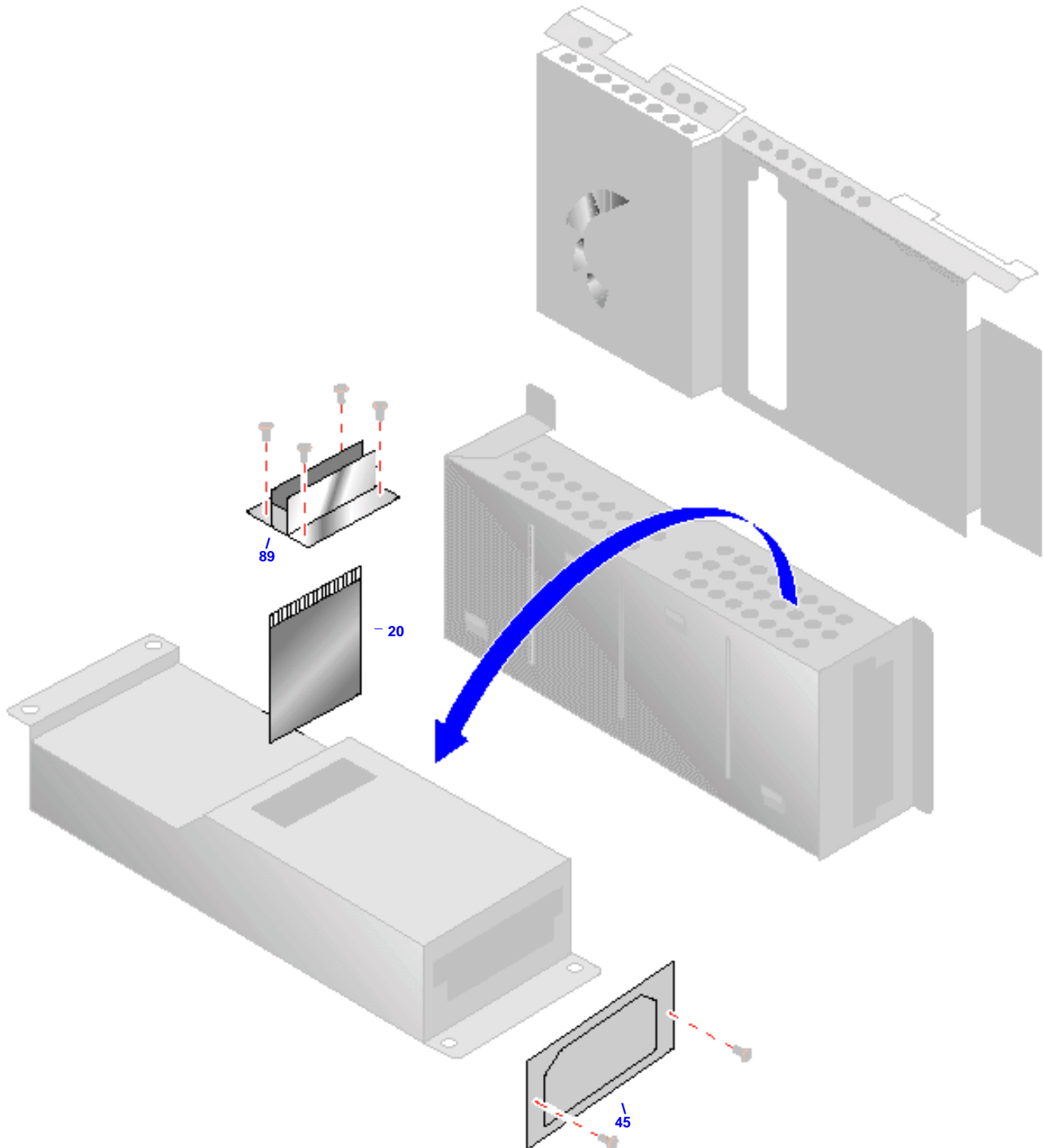


Chassis Assembly

84 -  Chassis Assembly

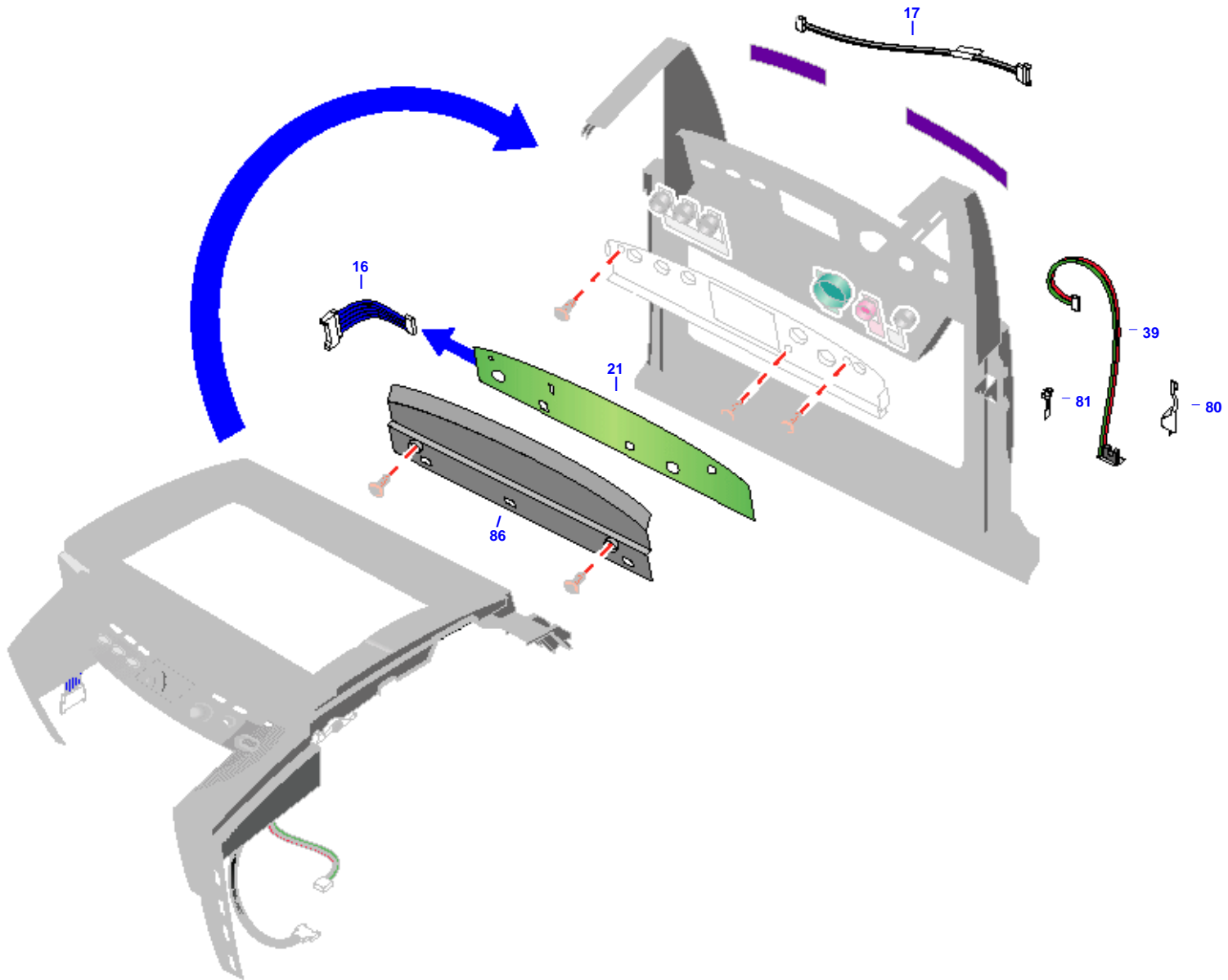


EIO Box Assembly



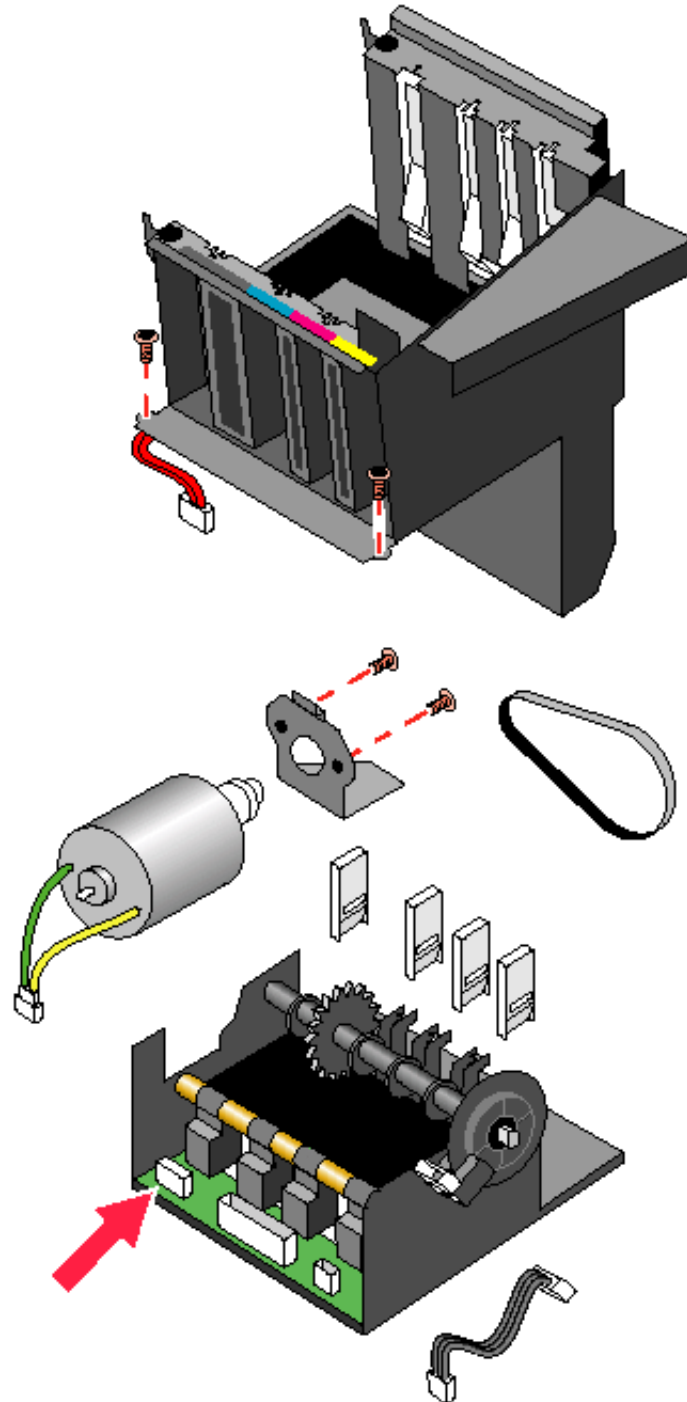
Front Panel Assembly

44 -  Front Panel Assembly

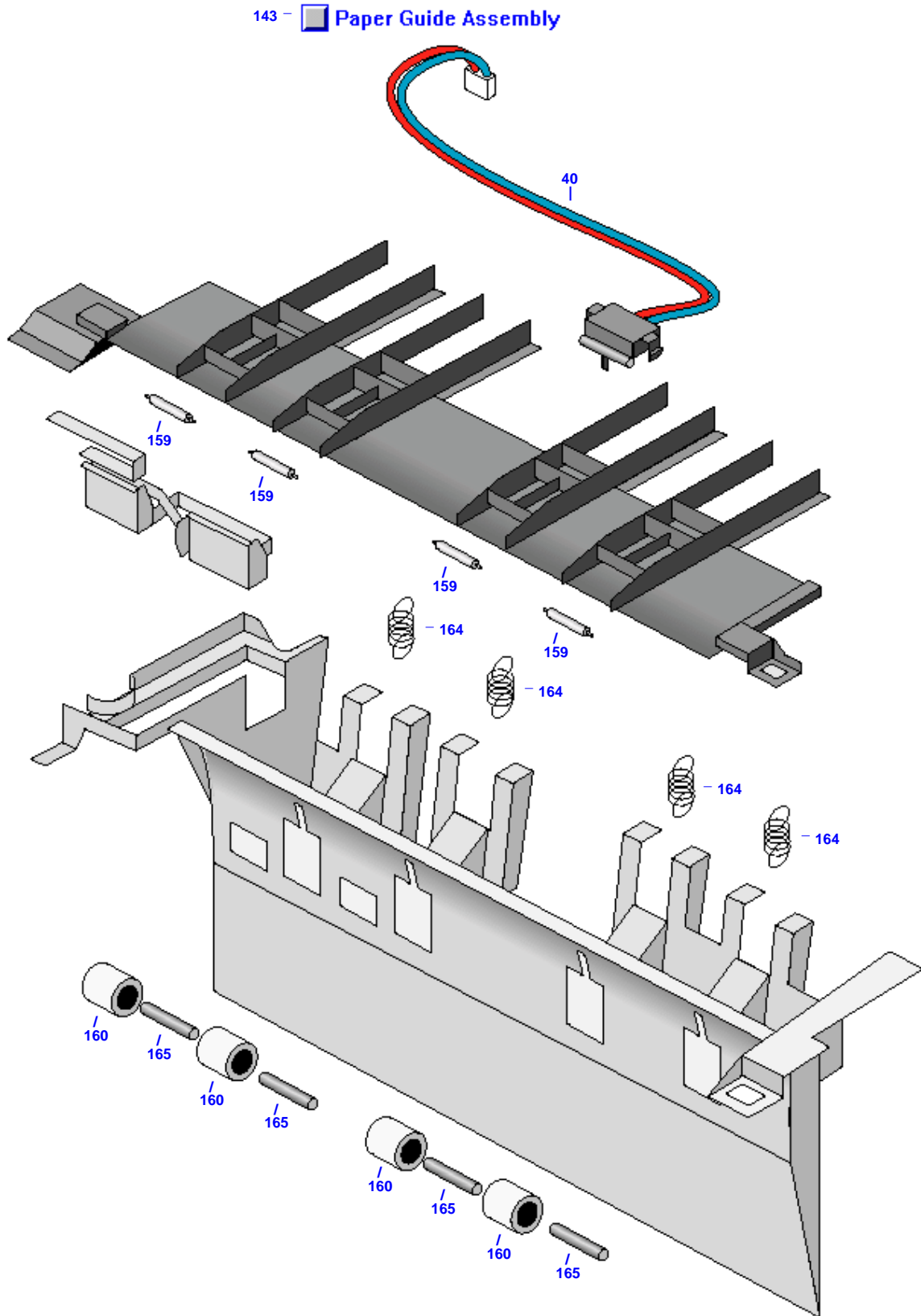


Ink Supply Station Assembly

146 -  Ink Supply Station Assembly



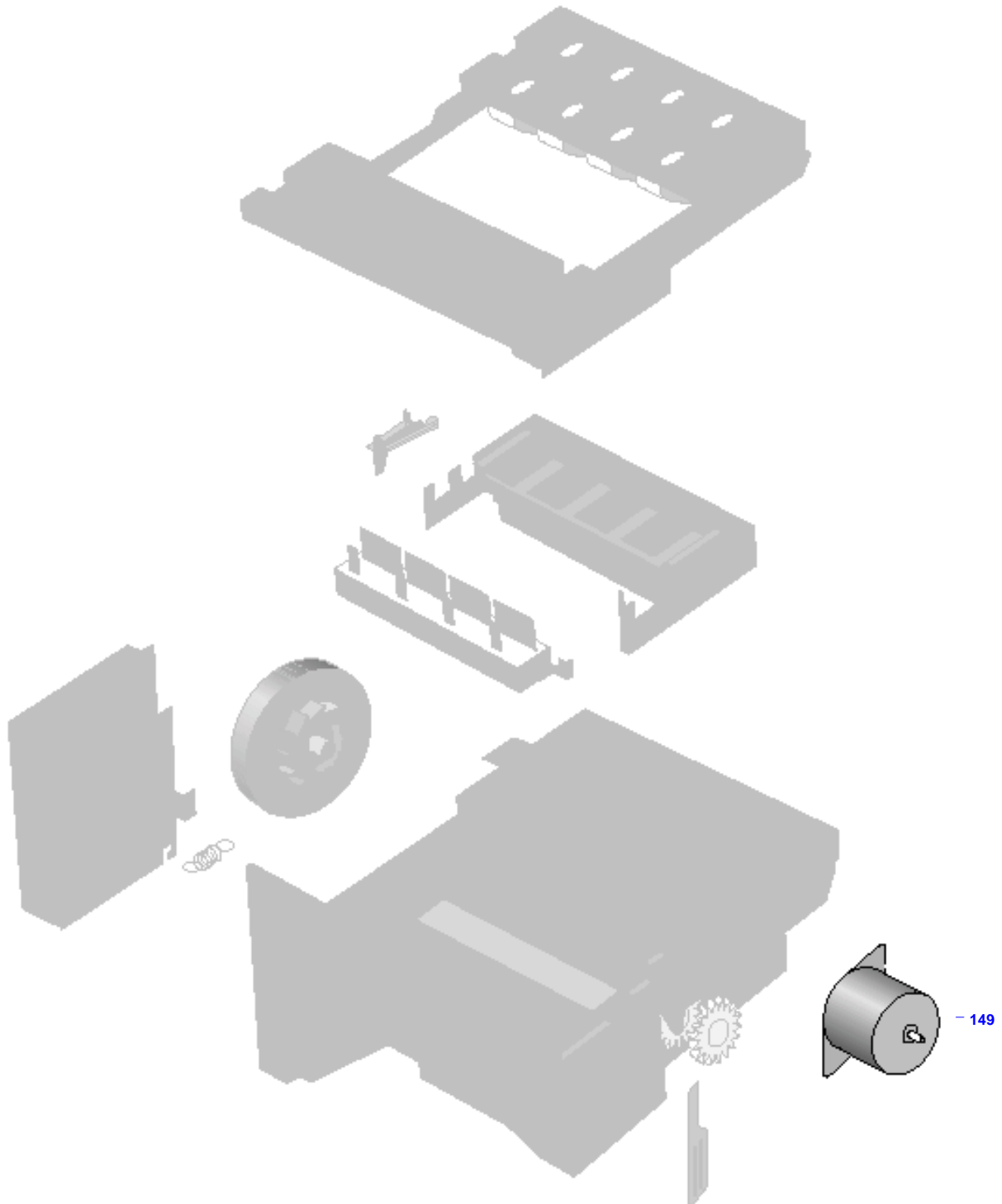
### Paper Guide Assembly





Service Station Assembly

162 -  Service Station Assembly





**HP Parts Reference Guide**

<http://www.hp.com/go/parts>

**HP PartSurfer**

<http://partsurfer.hp.com>

**HP Parts Ordering Information**

<http://www.hp.com/go/hpparts>

**HP Parts Questions/Comments**

<http://partsurfer.hp.com/contactus.htm>